

CYCLONE 2/0.9 Kw
Single-phase

CYCLONE 2/1.8 Kw
Single-phase



CYCLONE 2/0.9 kW SINGLE-PHASE

Small, light, handy (only 15 kg and a length of 55 cm) but very sturdy and powerful thanks to the metal structure and 0.9 kW motor. Including pre-filter and cone for welding fumes expulsion. Ideal for non-intensive use with 60% duty cycle. Recommended for torches with air cooling. Start Stop activation device included (BX0236).

TECHNICAL DATA Cyclone 2/0.9 kw single-phase

V	220 V
⚡	0,9 kW
✿↓	215 m³/h
X	60%
±	15 Kg
↕	290xh350x550 mm
DEPRESSION	17.000 Pa
NOISE LEVEL	71 Db

CODE		
1	MU0213	Cyclone 2/0,9 kW Fume Exhausting unit FCT

CYCLONE 2/1.8 kW SINGLE-PHASE

Extremely powerful and sturdy, thanks to the metal structure and the two 0.9 kW motors. Including pre-filter, microfilter and cone for the expulsion of welding fumes. Possibility of filtering fumes with the activated carbon filter as an option. Ideal for all uses, with air and water cooled torches. 60% duty cycle. Start Stop activation device included (BX0236).

TECHNICAL DATA Cyclone 2/1.8 kW single-phase

V	220 V
⚡	1,8 kW
✿↓	240 m³/h
X	60%
±	31 Kg
↕	820xh460x320 mm
DEPRESSION	22.000 Pa
NOISE LEVEL	72 Db
AIR DEPURATION CLASS	10 (0,3 µm at 98%)

CODE		
1	MU0214	Cyclone 2/1,8 kW Fume Exhausting unit FCT

CODE			
8	DM0057	Cyclone System 2/1.8 kW FCT + arm + wheels + hose connection	
	MU0214	Cyclone 2/1.8 kW Fume Exhausting unit FCT	INCLUDED
	DM0060	Balanced arm torch holder 2,5m without strut	INCLUDED
	MU0216	4 wheels trolley for CYCLONE 2/1,8 kW FCT	INCLUDED
	QB0134	2m hose connection, complete of Ø50 mm ring fitting	INCLUDED

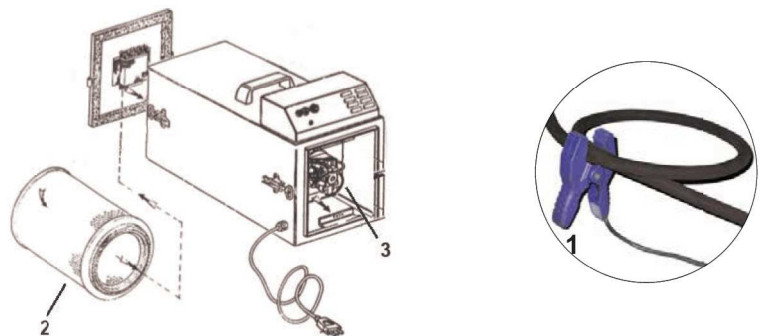


CODE	OPTIONAL	
BW0094	Connection ring for the torche D.50/40	1
BW0309	Connection ring for the torche D.60/50	1
BW0495	Connection ring for the torche D.50/50	1
BW0691	"Y" connection for two torches fitting	1
BX0209	2m extension for STAR/STOP device	1
BX0220	4m extension for STAR/STOP device	1
BX0227	6m extension for STAR/STOP device	1
BX0230	Jack connection to connect the second automatic START/STOP	1
QB0133	10m hose connection, complete of D.50 ring fitting	1

CODE	OPTIONAL	
QB0135	4m hose connection, complete of D.50 ring fitting	1
QB0136	6m hose connection, complete of D.50 ring fitting	1
QB0137	8m hose connection, complete of D.50 ring fitting	1
QB0138	Exhausting hose D.60 50m roll	50
QB0172	Exhausting hose D.60 5m	1
QB0173	Exhausting hose D.60 10m	1
QB0174	Exhausting hose D.60 15m	1
QB0175	Exhausting hose D.60 20m	1
QB0176	Exhausting hose D.60 25m	1

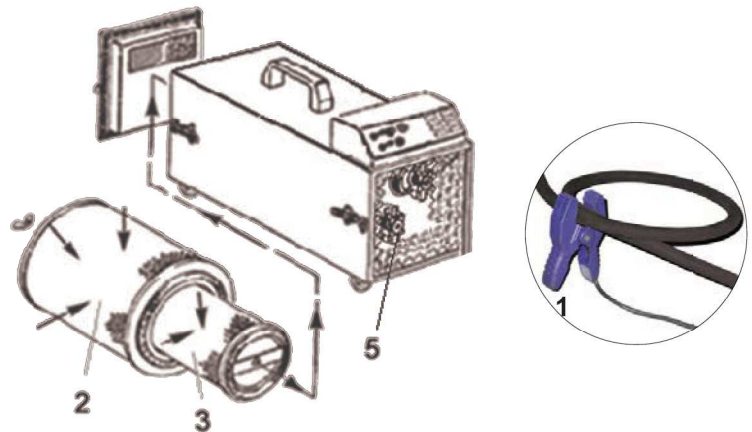
CYCLONE 2/0.9 kW SPARE PARTS

	CODE	
1	BX0236	Automatic STAR/STOP clamp with 2 m
2	GB5114	Pre-filter cartridge Ø280x390mm - 98% 1µ - 127 g/m ²
3	MU0306	Single-phase motor 220V 50Hz 900W



CYCLONE 2/1.8 kW SPARE PARTS

	CODE	
1	BX0236	Automatic STAR/STOP clamp with 2 m
2	GB5096	Cartridge pre-filter D. 280x390mm - 98% 1µ - 127g/m ²
3	GB5097	Cartridge micro-filter D. 180x375mm - 98% 0.3µ - 220g/m ²
5	MU0306	Single-phase motor 220V 50Hz 900W



CYCLONE 2/1.8 kW OPZIONAL ACCESSORIES FOR AIR FILTRATION

	CODE		
6	GD5094	Activated carbon filters 25x265x23mm - 1 Kg 0,35m/s	OPTIONAL (ORDER WITH 5-6)
7	FE0881	Filter/Output support box filtered air	OPTIONAL (ORDER WITH 5-6)

