

CYCLONE 1.5 Kw INDUZIONE



	CODE		
--	------	--	--

1	MU0215	Cyclone 1.5 Exhausting unit	
2	GB5096	Cartridge pre-filter D. 280x390mm - 98% 1µ - 127g/m ²	INCLUDED
3	GB5097	Cartridge micro-filter D. 180x375mm - 98% 0.3µ - 220g/m ²	INCLUDED
4	BX0236	Automatic STAR/TOP clamp with 2 m	INCLUDED



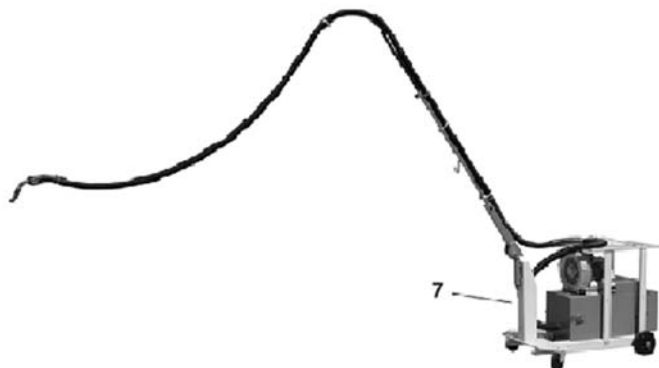
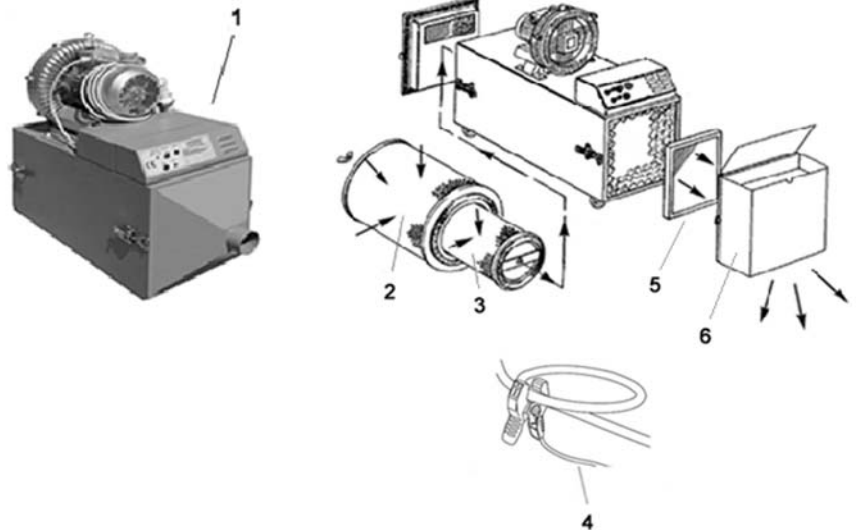
5	GB5094	Carbons filter 25x265x23mm - 1 Kg 0,35m/s	OPTIONAL (ORDER WITH 5-6)
6	FE0881	Filter holder Cassone recirculation air outlet	OPTIONAL (ORDER WITH 5-6)


TECHNICAL DATA	
----------------	--


V	220 V
⚡	1,5 Kw
🌀↓	240 m ³ /h
X	60%
⬇	61 Kg
↺	w820xh460xd320
DEPRESSION	22.000 Pa
NOISE LEVEL	72 Db
AIR DEPURATION CLASS	10 (0,3 µm at 98%)

	CODE		
--	------	--	--

7	DM0058	Cyclone System 1.5 Kw FCT + arm + wheels + hose connection	
	MU0215	Cyclone 1.5 Exhausting unit	INCLUDED
	DM0060	Balanced arm torch holder 2,5m without strut	INCLUDED
	MU0212	4 wheels trolley for CYCLONE 1.5 Kw	INCLUDED
	QB0134	2m hose connection, complete of d.50 ring fitting	INCLUDED



CODE	OPTIONAL	
BW0094	Connection ring for the torche D.50/40	1
BW0309	Connection ring for the torche D.60/50	1
BW0495	Connection ring for the torche D.50/50	1
BW0691	"Y" connection for two torches fitting	1
BX0209	2m extension for STAR/STOP device	1
BX0220	4m extension for STAR/STOP device	1
BX0227	6m extension for STAR/STOP device	1
BX0230	Jack connection to connect the second automatic START/ TOP	1
QB0133	10m hose connection, complete of d.50 ring fitting	

CODE	OPTIONAL	
QB0135	4m hose connection, complete of d.50 ring fitting	
QB0136	6m hose connection, complete of d.50 ring fitting	
QB0137	8m hose connection, complete of d.50 ring fitting	
QB0138	Exhausting hose d.60 50m roll	50
QB0172	Exhausting hose d.60 5m	1
QB0173	Exhausting hose d.60 10m	1
QB0174	Exhausting hose d.60 15m	1
QB0175	Exhausting hose d.60 20m	1
QB0176	Exhausting hose d.60 25m	1