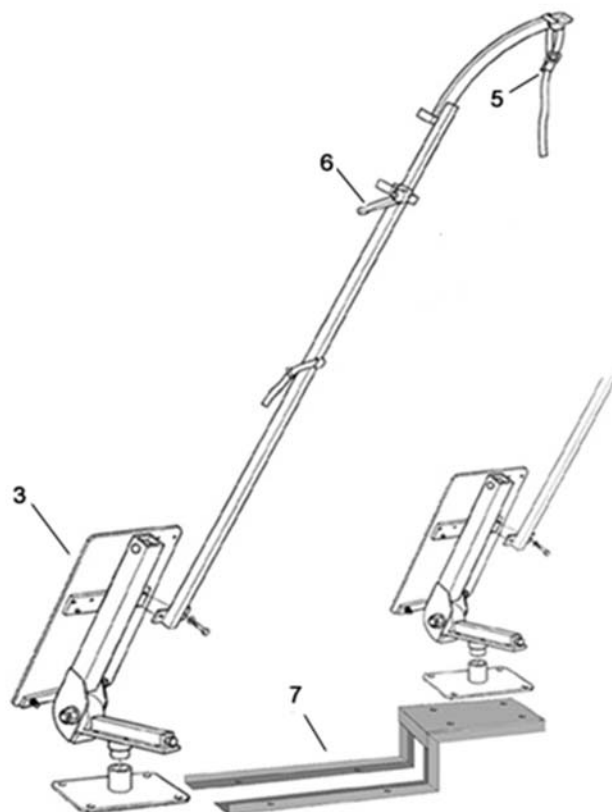
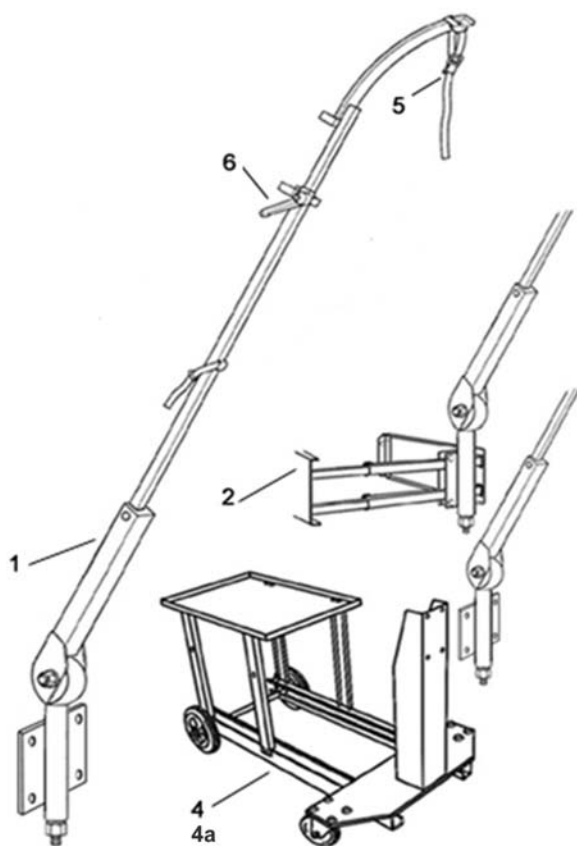


BALANCED ARM



	CODE			
1	DM0060	Balanced arm torch holder 2,5m without strut	COMBINABLE WITH DM0065 - MU0212 - MU0216	1
2	DM0065	Universal arm holder for DM0060		1
3	DM0061	Balanced arm torch holder 2,5m trolling	COMBINABLE WITH DM0066	1
4	MU0212	4 wheels trolley for CYCLONE 1.5 Kw		1

	CODE			
4a	MU0216	4 wheels trolley for CYCLONE 2/1,8 Kw FCT		1
5	SPL000370	Belt for lock the torch	INCLUDED ON DM0060-DM0061	1
6	SPL000371	Handle to the arm length adjustment	INCLUDED ON DM0060-DM0061	1
7	DM0066	Arm holder for synergic generators		1



GIANT BALANCED ARM



	CODE		
--	------	--	--

1	DM0071	Big balanced arm torch holder 3,5m column 1,83M from floor	1
1	DM0072	Big balanced arm torch holder 4,5m column 1,83M from floor	1
1	DM0073	Big balanced arm torch holder 5m column 1,83M from floor	1
1a	DM0076	Big balanced arm torch holder 3,5m column 1,53 base	COMBINABLE TO DM0074
1a	DM0077	Big balanced arm torch holder 4,5m column 1,53 base	COMBINABLE TO DM0074

	CODE		
--	------	--	--

1a	DM0078	Big balanced arm torch holder 5m column 1,53 base	COMBINABLE TO DM0074
2	DM0074	Stabilized base with wheels 1,25X1,40X0,4m	1
3	DM0079	Arm holder for Cyclone 3/3.0	1
4	QB0134	2m hose connection, complete of d.50 ring fitting	
5	FB0689	Rectangular collector 140x45 mm with magnetic clamp with hose 5 m	

